



Conventional IS Manual Call Point

FUNCTION

The Conventional IS Manual Call Point has been designed to operate on conventional intrinsically safe fire detection systems.

Designed specifically for use in atmospheres in which explosive mixtures are or may be present, certain design considerations must be observed. Full information on this to be found in PP1095.

The Manual Call Point is available in two versions, indoor and outdoor in either red or yellow.

FEATURES

The Manual Call Point has an easily resettable element rather than a break glass. This call point is supplied with a backbox for surface mounting.

It also features a unique 'Plug and Play' installation concept designed specifically to reduce installation time. The call point utilises a terminal block, where all installation cabling is terminated.

The red Manual Call Point is approved to EN54-11 standard and complies with the requirements of the ATEX directive.

MECHANICAL CONSTRUCTION

The component parts of the call point are moulded in polycarbonate or ABS, depending on their function.

DIMENSIONS AND WEIGHT

Indoor	93mm x 89mm x 59.5mm	180g
Outdoor	93mm x 97.5mm x 71mm	350g



Part nos. 55100-031 (IS Indoor - Red)
55100-032 (IS Indoor - Yellow)
55100-033 (IS Outdoor - Red)
55100-034 (IS Outdoor - Yellow)

OPERATING PRINCIPLES

The Manual Call Point consists of a 470Ω resistor in series with a normally open switch contact.

The Manual Call Point helps reduce installation time as all the initial installation cabling is wired to a terminal block which connects neatly to the call point.

Once activated, the manual call point can be reset by inserting the test key into the bottom of the unit until the key clicks into position. Remove the test key and push the front cover up until it clicks home.



Overseas offices:
America China Germany Ireland

36 Brookside Road, Havant,
Hampshire, PO9 1JR, UK.

Tel: +44 (0)23 9249 2412
Fax: +44 (0)23 9249 2754

Email: sales@apollo-fire.co.uk
Web: www.apollo-fire.co.uk

A HALMA COMPANY

EMC DIRECTIVE 2004/108/EC

The Manual Call Point complies with the essential requirements of the EMC Directive 2004/108/EC, provided that it is used as described in this PIN sheet.

A copy of the Declaration of Conformity is available from Apollo on request.

Conformity of the Manual Call Point with the EMC Directive does not confer compliance with the directive on any apparatus or systems connected to it.

TECHNICAL DATA

Maximum Supply voltage	30VDC
Switch Rating	2A

Operating temperature	
Indoor	-10°C to +55°C
Outdoor	-25°C to +70°C

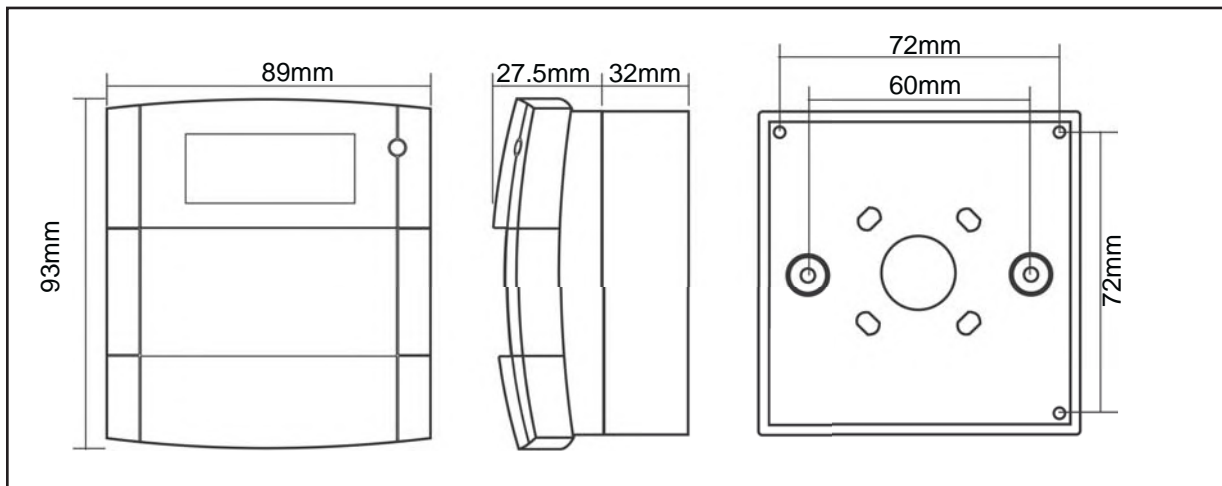
Humidity (no condensation) 0-93 ±3%(Ind/Out)

IP rating	
Indoor	24D
Outdoor	67

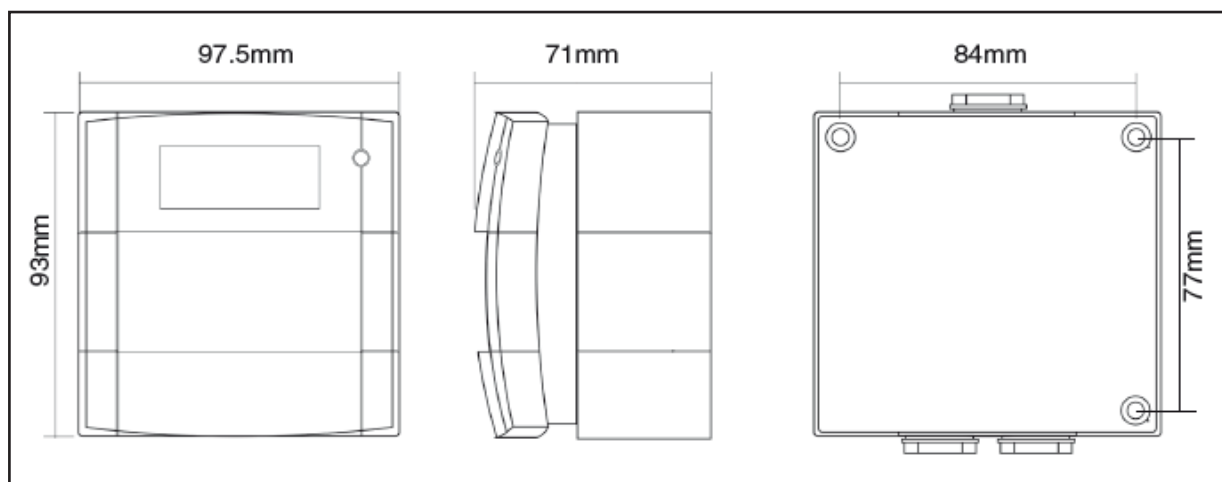
Complies with EMC Directive 2004/108/EC
Complies with EN54-11:2001
Complies with ATEX Directive 94/9/EC

DIMENSIONAL DRAWING

INDOOR



OUTDOOR



IMPORTANT NOTICES

These call points carry the following approvals:



II 1 G Ex ia IIC T4 Ga -10°C to +55 °C
 Ui=30 V, Ii=500 mA, Pi=1 W
 Sira 04ATEX2350X



2813
 2831

They are designed and manufactured to protect against other hazards as defined in paragraph 1.2.7 of Annex II of the ATEX Directive 2014/34/EU.

They are intended for indoor use within Intrinsically Safe (I.S.) Systems utilising suitable Safety Barriers.

Special conditions for safe use (denoted by X after the certificate number)

The enclosure is non-conducting and may generate an ignition-capable level of electrostatic charges under certain extreme conditions. The user should ensure that the equipment is not installed in a location where it may be subjected to external conditions (such as high-pressure steam) which might cause a build-up of electrostatic charges on non-conducting surfaces. Additionally, cleaning of the equipment should be done only with a damp cloth.

The equipment may be used in an ambient temperature range of -10°C to +55°C.

These call points must not be modified in any way as doing so may invalidate the Certification and may compromise the safety of the product.



Conventional I.S. Indoor Manual Call Point Installation Guide

General

Conventional I.S. Indoor Manual Call Point is available in two versions:

Part Number	Model Number	Product Name
55100-031	MCP1A-R470SF-A071-01IS	Conventional I.S. Indoor Manual Call Point-Red

Conventional Indoor Manual Call Point

The Conventional I.S. Indoor Manual Call Point is supplied with a backbox for surface mounting. The call point is 'Type A' and is suitable for indoor use only. For flush mounting, a standard electrical outlet box with a minimum depth of 25mm is required.

Installation – General

The installation must conform to BS5839: Part 1 (or applicable local codes).

Installation

1. Fit the backbox (**Fig 1**) to the wall.
2. Run the cables into the backbox and connect them to the terminal block as shown in **Fig 2**. Ensure that functional earth/screen continuity is maintained.
3. Unlock the small front cover by inserting the forked key and pushing it home. Remove key, slide the cover down and remove the deformable element. Connect the terminal block as shown in **Fig. 2**, secure the call point to the backbox and refit the deformable element as required. Finally, replace the front cover in the reverse order in which it was removed and push it up until it locks.

The call points should be installed in a position where they will not be subjected to mechanical stresses and where the temperature is within operating temperature range. Areas where there are, or are likely to be, aggressive substances should be avoided.

Transparent Hinged Cover (flip lid)

To provide additional protection against accidental operation of call points, a transparent hinged cover, part no. 26729-152 is available.

To prevent against malicious activations of call points, locking tags are also available, part no. 26729-179 (pack of 5).

Please note that the call point does not conform to EN54-11 : 2001 when the hinged cover is **secured with the locking tag**.

Commissioning

Test each MCP using the test key provided. Ensure the control panel enters the alarm state.

Wiring Details

All wiring terminals accept solid or stranded cables up to 2.5mm².

Technical Data

Maximum Voltage	30V
Maximum Switching Current	500mA
Alarm Resistor	470 Ω
IP rating	IP24D
Operating Temperature	-10°C to +55°C
Wattage	1W

Note: These ratings must not be exceeded

Troubleshooting

Before investigating individual units for faults, ensure the system wiring is fault free.

Routine Testing

Insert the test key into the hole at the bottom of the call point and push home. Observe routine test requirements as specified in the applicable local codes. Apart from regular testing, as part of the scheduled maintenance of the fire alarm system, no additional maintenance is required.

Resetting

After testing, reset the call point by removing the test key and pushing up the front cover until it clicks home.

Important Information

The use of lubricants, cleaning solvents or petroleum based products should be avoided. Do not over tighten fixing screws.

Fault Finding

Problem	Possible Cause
Control panel reports zone fault	Incorrect zone wiring Detector removed
Control panel reports alarm	EOL device missing or incorrectly fitted MCP not reset Test key not removed
MCP does not activate alarm	Incorrect EOL device Incorrect wiring Incompatible control panel

For further information, please refer to PP2418.

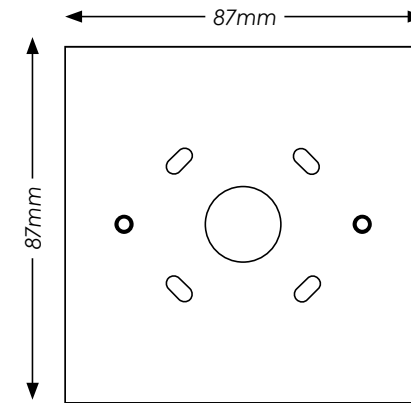


Fig. 1 Backbox

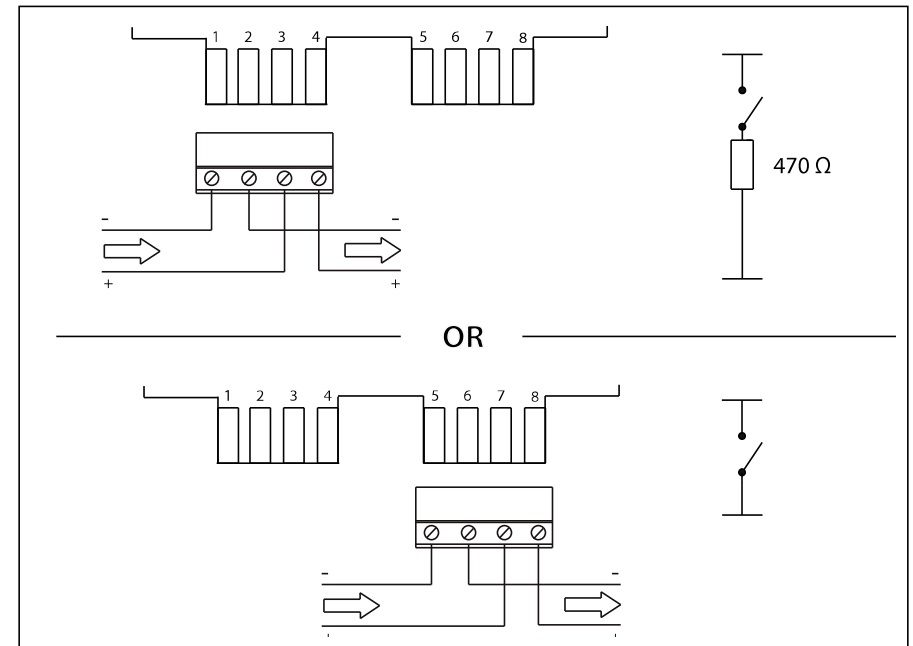


Fig. 2 Terminal block connections