



# Conventional IS Manual Call Point

## FUNCTION

The Conventional IS Manual Call Point has been designed to operate on conventional intrinsically safe fire detection systems.

Designed specifically for use in atmospheres in which explosive mixtures are or may be present, certain design considerations must be observed. Full information on this to be found in PP1095.

The Manual Call Point is available in two versions, indoor and outdoor in either red or yellow.

## FEATURES

The Manual Call Point has an easily resettable element rather than a break glass. This call point is supplied with a backbox for surface mounting.

It also features a unique 'Plug and Play' installation concept designed specifically to reduce installation time. The call point utilises a terminal block, where all installation cabling is terminated.

The red Manual Call Point is approved to EN54-11 standard and complies with the requirements of the ATEX directive.

## MECHANICAL CONSTRUCTION

The component parts of the call point are moulded in polycarbonate or ABS, depending on their function.

## DIMENSIONS AND WEIGHT

Indoor	93mm x 89mm x 59.5mm	180g
Outdoor	93mm x 97.5mm x 71mm	350g



Part nos. 55100-031 (IS Indoor - Red)  
55100-032 (IS Indoor - Yellow)  
55100-033 (IS Outdoor - Red)  
55100-034 (IS Outdoor - Yellow)

## OPERATING PRINCIPLES

The Manual Call Point consists of a 470Ω resistor in series with a normally open switch contact.

The Manual Call Point helps reduce installation time as all the initial installation cabling is wired to a terminal block which connects neatly to the call point.

Once activated, the manual call point can be reset by inserting the test key into the bottom of the unit until the key clicks into position. Remove the test key and push the front cover up until it clicks home.



Overseas offices:  
America China Germany Ireland

36 Brookside Road, Havant,  
Hampshire, PO9 1JR, UK.

Tel: +44 (0)23 9249 2412  
Fax: +44 (0)23 9249 2754

Email: sales@apollo-fire.co.uk  
Web: www.apollo-fire.co.uk

A HALMA COMPANY

## EMC DIRECTIVE 2004/108/EC

The Manual Call Point complies with the essential requirements of the EMC Directive 2004/108/EC, provided that it is used as described in this PIN sheet.

A copy of the Declaration of Conformity is available from Apollo on request.

Conformity of the Manual Call Point with the EMC Directive does not confer compliance with the directive on any apparatus or systems connected to it.

## TECHNICAL DATA

Maximum Supply voltage	30VDC
Switch Rating	2A

Operating temperature	
Indoor	-10°C to +55°C
Outdoor	-25°C to +70°C

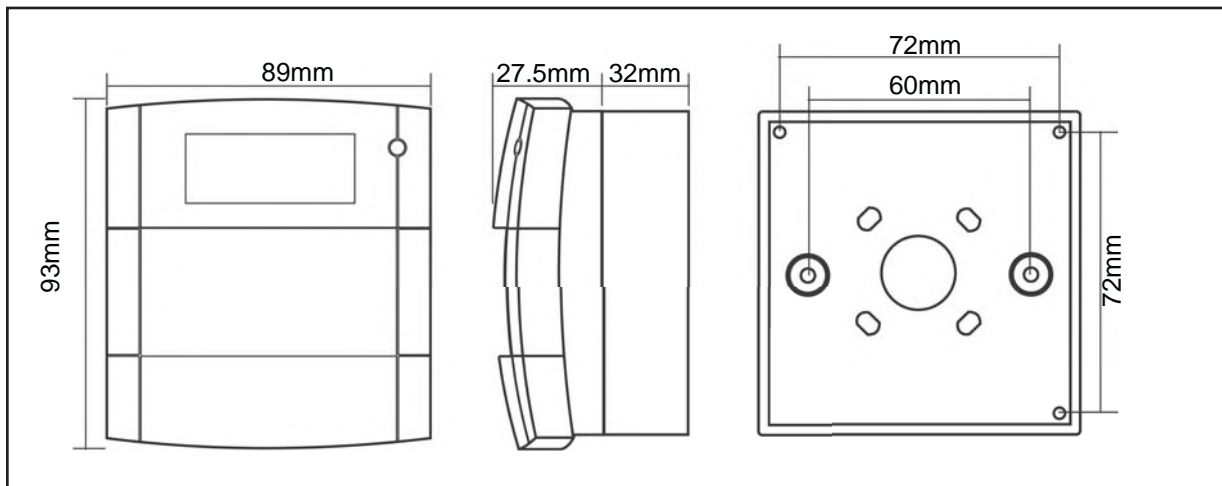
Humidity (no condensation) 0-93 ±3%(Ind/Out)

IP rating	
Indoor	24D
Outdoor	67

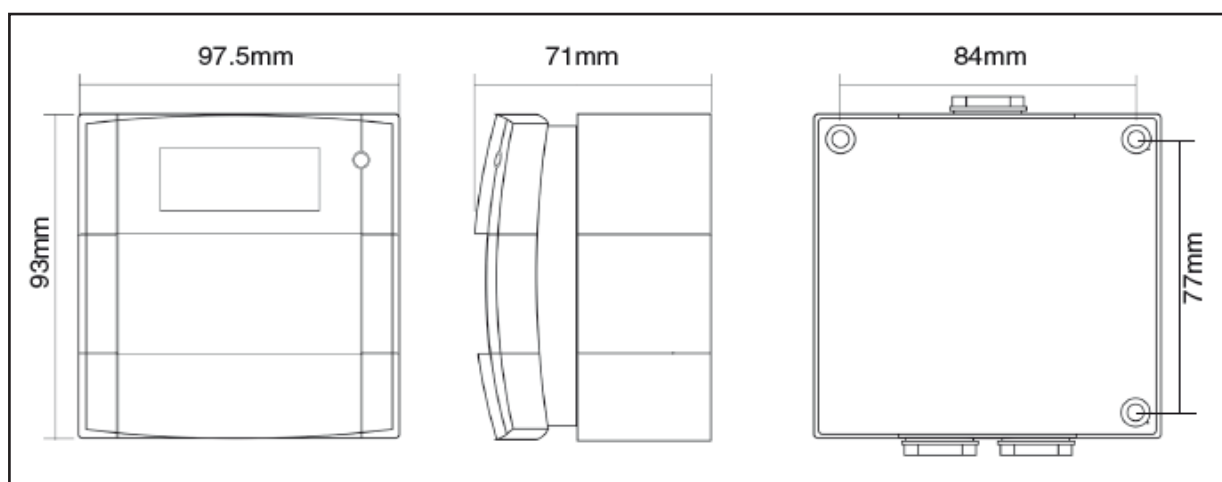
Complies with EMC Directive 2004/108/EC  
Complies with EN54-11:2001  
Complies with ATEX Directive 94/9/EC

## DIMENSIONAL DRAWING

### INDOOR



### OUTDOOR



**IMPORTANT NOTICES**

These call points carry the following approvals:



II 1 GD Ex ia IIC T4 Gα (-20°C ≤ Ta ≤ 70°C) Ui=30 V, Ii=500 mA, Pi=1 W  
 Ex ia IIIC T135°C Da (-20°C ≤ Ta ≤ 40°C) Ii=0.25 A, Pi=0.75 W  
 (-20°C ≤ Ta ≤ 70°C) Ii=0.25 A, Pi=0.65 W  
 Sira 06ATEX2131X SIR 08.0105X



2813  
2831

They are designed and manufactured to protect against other hazards as defined in paragraph 1.2.7 of Annex II of the ATEX Directive 2014/34/EU.

They are intended for indoor use within Intrinsically Safe (I.S.) Systems utilising suitable Safety Barriers.

**Special Conditions for Safe Use (denoted by X after the certificate number)**

The enclosure is non-conducting and may generate an ignition-capable level of electrostatic charges under certain extreme conditions. The user should ensure that the equipment is not installed in a location where it may be subjected to external conditions (such as high-pressure steam) which might cause a build-up of electrostatic charges on non-conducting surfaces. Additionally, cleaning of the equipment should be done only with a damp cloth.

These call points must not be modified in any way as doing so may invalidate the Certification and may compromise the safety of the product.



## Conventional I.S. Outdoor Manual Call Point Installation Guide

**General**

The Conventional I.S. Outdoor Manual Call Point is available in two versions:

Part Number	Model Number	Product Name
55100-033	WCP1A-R470SF-A071-01IS	Conventional I.S. Outdoor Manual Call Point-Red

**Installation**

- Fit the backbox to a flat surface using the three fixing holes and screws provided. The cable entry holes should be in the vertical plane. The backbox can be mounted with either the single or double entry holes at the top. (Fig. 1).  
  
*Note: Cable entry from the bottom of the call point is recommended if there is a possibility of moisture condensing within the conduit or cables.*
- Remove terminal block from the PCB. Run the cables into the backbox and connect them to the terminal block as shown in Fig. 2. Ensure that functional earth/screen continuity is maintained. Screens should be connected to the terminal in the backbox.
- Reconnect the terminal block to the PCB and ensure that the O-ring is correctly seated in its channel. Place the cover squarely over the backbox and carefully push the cover until the locating clips have engaged, use the 4 fixing screws to lock the cover in place. **Do not use excessive force, do not over tighten screws.**
- To remove the cover, undo and remove the four cover fixing screws. The four retaining clips also need to be released. To do this place a flat bladed screwdriver into the slot between the cover and backbox and gently twist until the clip disengages (Fig. 3). Repeat this for the three remaining clips and pull the cover away from the backbox.

The call points should be installed in a position where they will not be subjected to mechanical stresses and where the temperature is within operating temperature range. Areas where there are, or are likely to be, aggressive substances should be avoided.

The Conventional I.S. Outdoor Manual Call Point is a 'type A' call point and is suitable for outdoor use.

**Wiring Details**

To maintain the integrity of the enclosure it is essential that suitable IP67 cable glands be used.

**Technical Data**

Maximum Voltage	30V
Maximum Switching Current	500mA
Alarm Resistor	470 Ω
IP rating	IP67
Operating Temperature	-25°C to 70°C (see approvals)
Wattage	1W

## Commissioning

The installation must conform to BS5839-1 (or applicable local codes).

Ensure that the deformable element is fitted to each call point before testing. Use the test key provided to check the operation of each device.

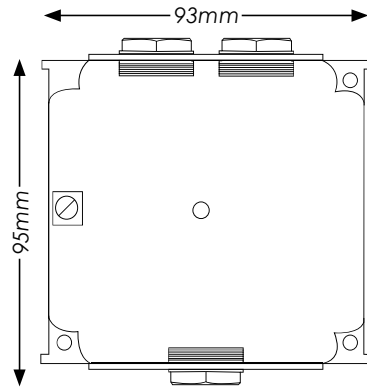


Fig. 1 Backbox

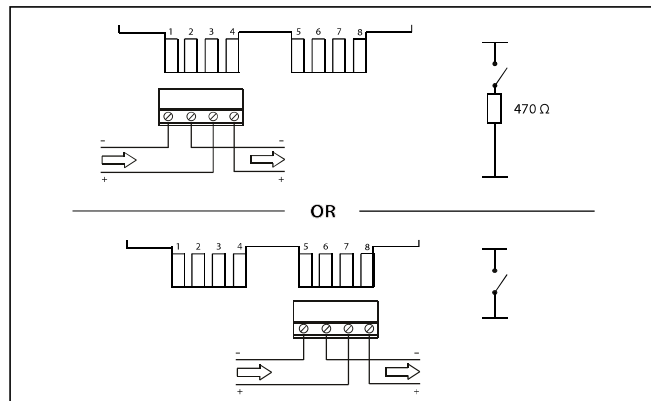


Fig. 2 Terminal block connections

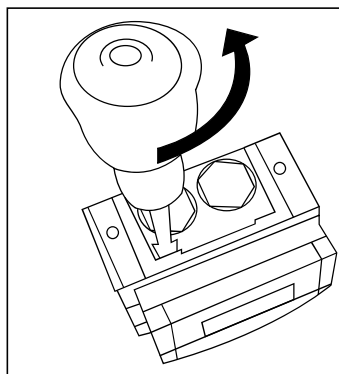


Fig. 3 Cover removal

2

## Troubleshooting

Before investigating individual units for faults, it is important to check that the system wiring is fault free.

Many fault conditions are the result of simple wiring errors. Check all connections to the unit.

### General Fault Finding

Problem	Possible Cause
Control panel reports zone fault	Incorrect zone wiring Detector removed
Control panel reports alarm	EOL device missing or incorrectly fitted MCP not reset Test key not removed
MCP does not activate alarm	Incorrect EOL device Incorrect wiring Incompatible control panel

### Routine Testing

Insert the test key into the hole at the bottom of the call point and push home. Observe routine test requirements as specified in the applicable local codes.

Apart from regular testing, as part of the scheduled maintenance of the fire alarm system, no additional maintenance is required.

### Resetting

After testing, reset the call point by removing the test key and pushing up the front cover until it clicks home.

### Earthing

An earthing plate is provided for continuity of metal conduits. This must be placed behind the back box prior to fixing the box to the wall. Fit the three M20 nylon washers between the earthing plate and the backbox before fitting cable glands, conduit or blanking plugs.

### Important Information

The use of lubricants, cleaning solvents or petroleum based products should be avoided. The O-ring should be replaced when refitting or replacing the Waterproof cover.

For further information refer to PP2418.

### Transparent hinged cover

To provide additional protection against accidental operation, a transparent hinged cover, part no 26729-152, is available.

To prevent against malicious activations of call points, locking tags are also available, part no. 26729-179 (pack of 5).

Please note that the call point does not conform to EN54-11 : 2001 when the hinged cover is **secured with the locking tag**.